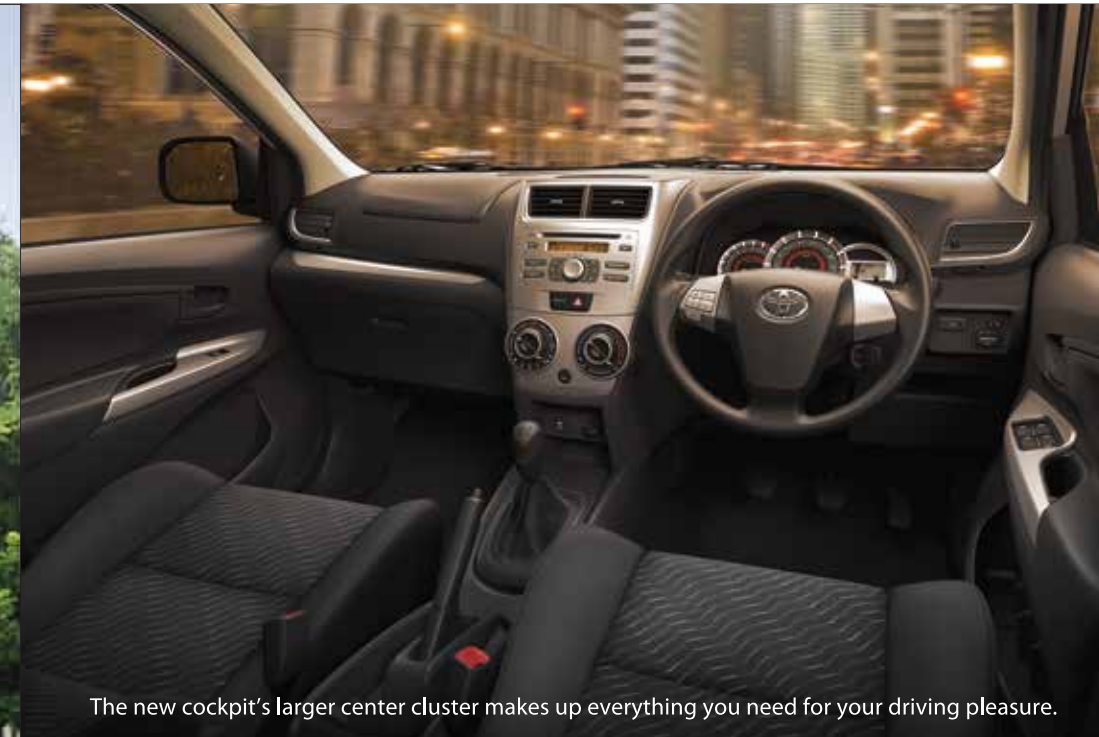


AVANZA



Got the Looks, Got the Moves!

The new AVANZA's amazing great looks take the 7-passenger MPV into a whole new world of driving pleasure.



The new cockpit's larger center cluster makes up everything you need for your driving pleasure.



Expanded cargo space made for better convenience



Stylish 7 seat space to make your dreams come true.



Alloy Rims



Rear Roof Spoiler



Immobilizer



Steering Switches



New Meter Design

NEW EXCITING SPECS!



Audio System



Dual SRS Airbags



Fog Lamps



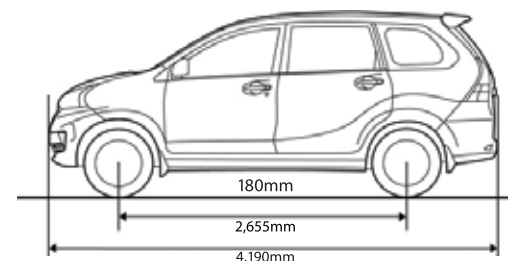
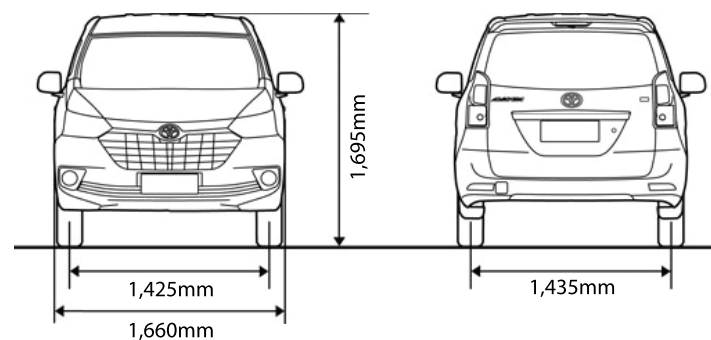
Back Chrome Design



Front Chrome Design

SPECIFICATIONS

DIMENSIONS		
Exterior L x W x H	(mm)	4190 x 1660 x 1695
Wheel Base	(mm)	2655
Tread	Front (mm)	1425
	Rear (mm)	1435
Min. Running Ground Clearance	(mm)	180
Gross Vehicle Weight	(Kg)	1700
Minimum Turning Radius (Body)	(m)	5
Luggage Compartment Space (3rd-row seat fold)	(L)	899
ENGINE SPECIFICATION		
Displacement	(cc)	1496
Engine Code		2NR-VE
Engine Type		4-cylinder, in line type, 16 valve DOHC, Chain driven with dual VVTi
Fuel Type		Gasoline
Fuel System		Electronic Fuel Injection (EFI)
Maximum Speed	km / h	165
Maximum Output	kW / rpm	77 / 6000
Maximum Torque	Nm / rpm	136 / 4200
PERFORMANCE		
Brakes	Front	Ventilated Disc Brake
	Rear	Leading-trailing Drum
Transmission Type		Manual: 5-Speed Forward, 1-Reverse
Suspension	Front	MacPherson Strut
	Rear	Five Link
Steering Gear Type		Electric Power Steering
Fuel Tank Capacity	Ltr	45
EXTERIOR		
Headlamps		Halogen Lamps
Front Fog Lamps		Available
Outside Rear View Mirror		With Electric Control
Front Grille		Chrome
Back Door Garnish		Chrome
Rear Spoiler		With High Mounted Rear Stop Lamp
Tires & Wheels	Tire Size	185/65R15
	Rim Type	15" Alloy with Center Ornament
INTERIOR		
Seating Capacity	(persons)	7
Air Conditioning		Dual Blower with Dashboard Upper Vent
Audio System		2 DIN Head Unit with CD and AM/FM radio
Speakers		4
Multi Information Display (MID)		With Economy Meter
Steering Wheel		3 Spoke Steering Wheel with Audio Switches and Tilt
Seats Material		Fabric
Seating	2nd row	50:50 Split Row, One Touch Tumble with Slide
	3rd row	50:50 Split
Wipers		Front (Intermittent) + Rear
Power Windows		With Jam Protection
Power Door Lock		Available
SAFETY AND SECURITY		
Anti-lock Braking System (ABS)		With Electronic Brake force Distribution (EBD)
SRS Airbags		With (Driver + Front Passenger)
Seat Belt	Front	Driver + Passenger: 3 Point ELR with Force Limiter and Pre Tensioner
	Rear	2nd and 3rd Row: 3 Point ELR
Seat Belt Warning		For Driver and Front Passenger with Buzzer
Immobilizer		With Alarm



AVAILABLE COLOURS



Nebula Blue Metallic



Champagne Metallic



Gray Metallic



Silver Mica Metallic



Black Metallic



White

Actual colors may vary from illustrations



Celebrate the
Journey of Life



AVANZA

- Indus Motor Company reserves the right to alter any details of specifications and equipment without notice.
- Vehicle body and accessory colours might differ slightly from the printed photos in this catalogue.

*Terms and Conditions Apply.

manhattan